

THEOBEN A.W.T. WEBLEY PATRIOT

AKA Beeman Kodiak (FAC only)

Tools required to carry out conversion:

- Spring compressor
- Philips screwdriver
- Hacksaw
- Medium grade file

HELPLINE
01234 391429

1. Remove spring (as per Webley instructions)
2. Remove spigot from end block as per diagram and file end smooth.

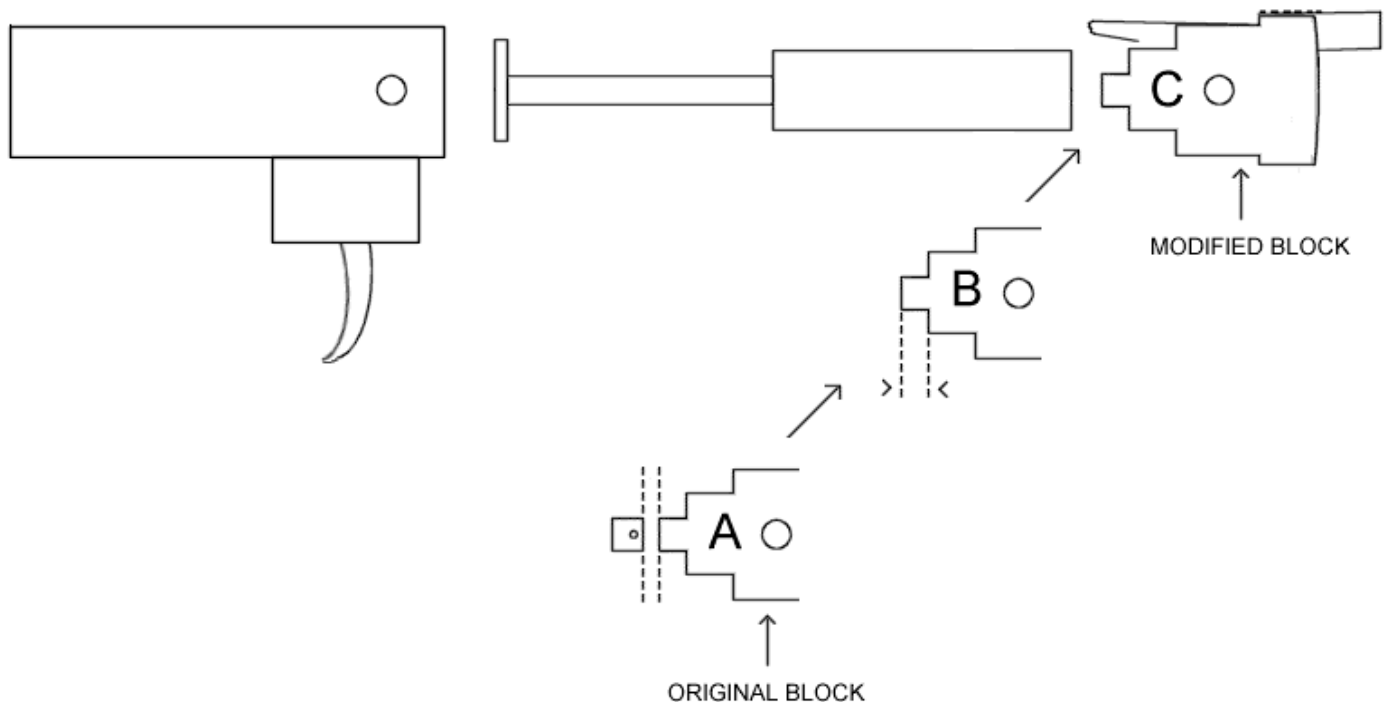
Diagram A shows original block with separation line where spigot should be cut.

Diagram B shows length of spigot after it has been filed smooth (4mm).

Diagram C shows the block now ready for insertion into the gun. Ensure the block is clean before placing into gun.

3. Insert gas spring with rod to the FRONT.
4. Replace end block, compress and insert pin.
5. Replace stock.

There are no detrimental effects from prolonged cocking.



Gas Spring is guaranteed for 6 months from date of purchase.

No responsibility can be accepted for any damage caused by misfitting of gas spring.

Patent Warning Notice for Gas Strut

This Gas Strut Spring Kit is protected by the following patents; UK 2.084.704 USA 4.707.686 Belgium 897.043
Further patents pending.

